

# Plug and Socket Coil Unit



## Description

Plug and Socket safe area coil.

## Features

- PG.9 Cable Gland. (Cable diameter 6 - 8mm)
- Plug connector DIN 43650 - Form A / ISO 4400.
- Protection class IP65 according to ENBS60529 : 1992.
- Continuously rated.
- Maximum permitted voltage variation  $\pm 10\%$ .
- Maximum Ambient Temperature  $+60^{\circ}\text{C}$ .
- Low Power consumption.
- Wide range of voltages available.



## Product Code :

A V 6 3 6 0 P 0 0 □

Voltage

See below for product code details  
If the option required is not listed please contact our sales office for assistance

## Voltage

### Voltage:

### Code:

12v DC

A

12v DC Low Power 1.3 watt

G

24v DC

B

24v DC Low Power 1.3 watt

H

### Voltage:

### Code:

24v AC (50/60 Hz)

R

48v AC (50/60 Hz)

S

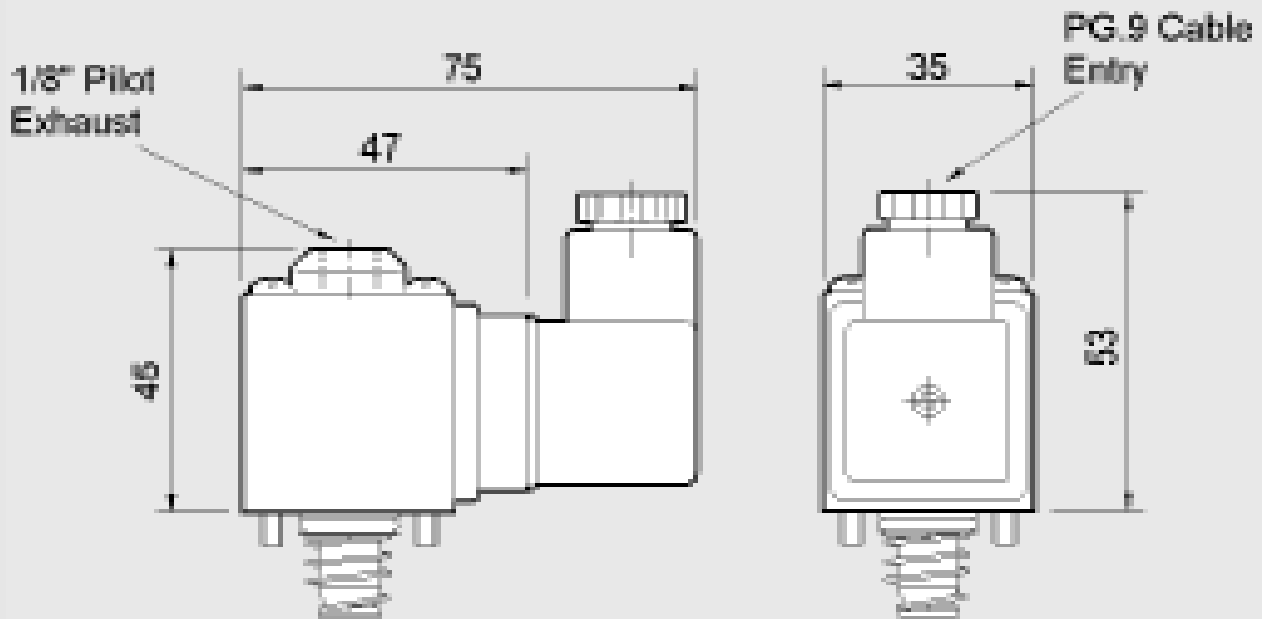
110v AC (50/60 Hz)

T

240v AC (50/60 Hz)

U

*No specific installation information required*



Material Specification	Standard
Coil Case	Zinc Alloy Epoxy Powder Coated
Plug Connector	Polyamide +30% Glass Filled
Armature and Fixed Pole Piece	Magnetic Solenoid Quality Stainless Steel
Springs	Stainless Steel
Seals and Seats	Viton
Coil Former	30% Glass Filled PBR
Magnetic Wire	Class H Coated Copper

Solenoid Specification Standard		
Type	DC Solenoid Coil	AC Solenoid
Voltage Standard	12, 24, 48, 110	24, 48, 110, 220, 415 50/60 Hz
Coil Rating	Class F	Class F
Voltage Tolerance	±10%	±10%
Ambient Temperature	-10 to +60°C	-10 to +60°C
Duty Cycle	100%	100%
Degree of Protection	IP65	IP65
Connection	PG.9 Cable Gland	PG.9 Cable Gland
Power Consumption	2.4, 1.3 Watts	Pull in - 10VA, Holding - 5VA
Pressure Range	0 - 8 Bar	0 - 8 Bar